



Favourite



*ABB Borås Ugntjänst
Sweden*

Introduction

The Favourite bake oven is the result of professional experience and knowledge in the manufacture of baking ovens, The separately controled oven sections allow baking of different kinds of goods at the same time and consequently the baker can achive optimal effectiency in his daily work.

Sizes

Favourite is produced in many sizes. The concept provides nearly unlimited choises, depending only on the amount of space available. From 1-4 trays per oven chamber. Four different depths, 675 mm, 820 mm and two dubble-depth models at 1370 mm and 1660 mm. The chambers can be produced in two different heights. Our ovens are very well insulated, producing very low heat radiation which provides a pleasent working environment for the user. A well insulated oven

also consume less energy which results in better overall operational economy.

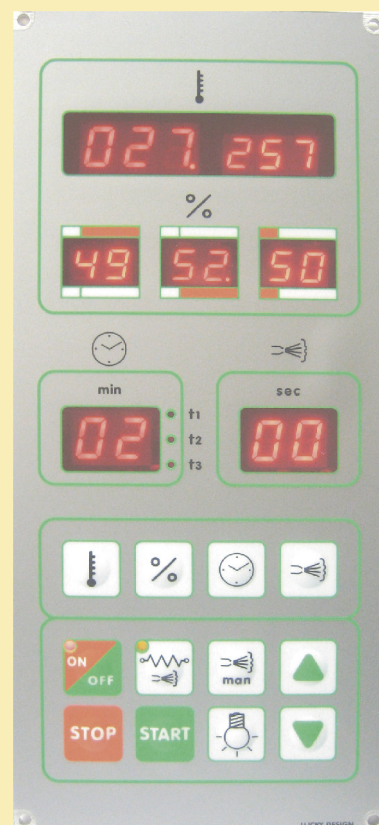
Stainless steel facing, makes the oven easy to keep clean.

Modulbuilt

The Favourite is a module built oven. We can produce the oven with up to five decks. If you want to start small, we can deliver just one deck, allowing you to add decks at your own rate, according to your own needs. A modulebuilt oven is easy to install, even if there is a lack of space. It can easily be separated into section.

Electronic controll

Each deck is controlled by an electronic computer with digital viewing. Our computers have many functions. and give a good overview on how the oven works. It's very easy to change values and programs.



A.B.B.U Oven



Computer functions

- Ovendeck ON/OFF
- Steam generator ON/OFF.
- Temperature viewing
- Separate heat regulation for; front, under and over.
- Bake timer with buzzer
- Steam time
- Ovenlight
- Baking cycles in different temperatures

It is also possible to program an increased initial temperature to compensate for temperatur loss with recharge.

Solid legs or Underbuilt Prover

We can delivery the oven with stainless legs and castors. The front castors are lockable. We can also delevary the oven with an underbuilt prover.

Angled front

The front panel is angled, wich provides the operator great visability.

Stable oven door

The oven door is equipped with a well balanced handle that operates very smooth. We use thick heat reflective glass in the door.

Standard features

- * Stainless steel facing
- * Thick heat reflective glass
- * Excellent lighting in oven chamber
- * Chassis is insulated with high quality material and is 120 mm thick
- * Prepared for steam equipment
- * All electronic components are gatherd at the right side of the oven for easy service.

Top cover

Favourite can be equipped with smal or large top cover, for proximity to local ventilation.



Features in standard model:

- * Legs in stainless steel
- * Castors with lock function
- * Stone hearths
- * Pull-out grid for load-relieving
- * Top cover (smal/large)
- * Complete steam equipment
- * Equipment for regulating of steam automatism
- * Underbuilt prover (UJS)
- * Grid for oven chamber
- * Lower shelf between the legs
- * Start timer

Steam Equipment (Optional, not on any picture)

The steam generator is located on the rear side of the oven. It's well-protected in a box of stainless steel. If steam generator is installed, the total oven depth will increase with about 130 mm.

Favourite

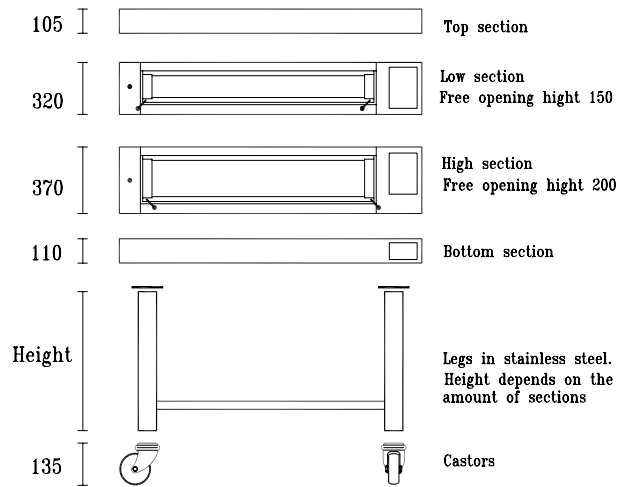
Partner of the skillful and flexible bakemaster

Power & heights

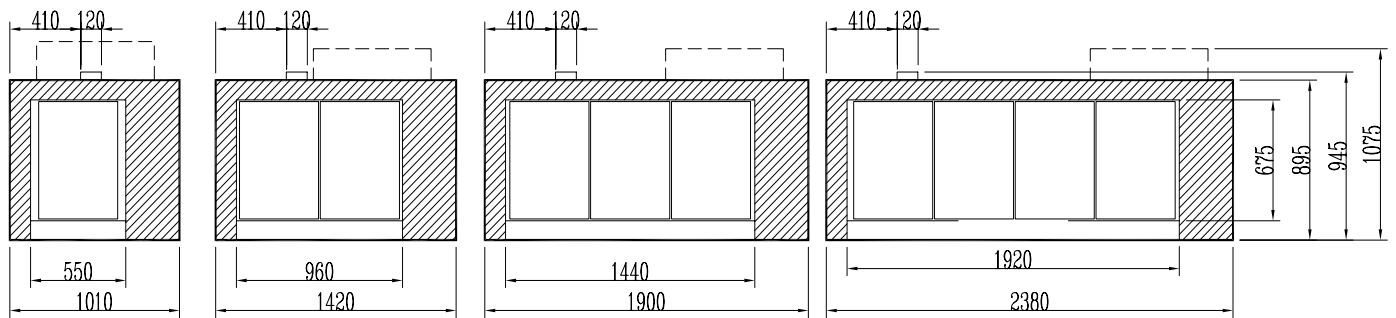
Power/Oven chamber, kW

| | 380V | 220,400,415V |
|----------|------|--------------|
| 550x675 | 3,0 | 3,3 |
| 960x675 | 4,8 | 5,3 |
| 1440x675 | 6,9 | 7,6 |
| 1920x675 | 9,0 | 9,9 |
| 700x820 | 4,5 | 5,0 |
| 960x820 | 5,6 | 6,2 |
| 1300x820 | 7,5 | 8,3 |
| 1440x820 | 8,1 | 9,0 |
| 1920x820 | 10,8 | 12,0 |
| Steam | 1,83 | 2,0 |

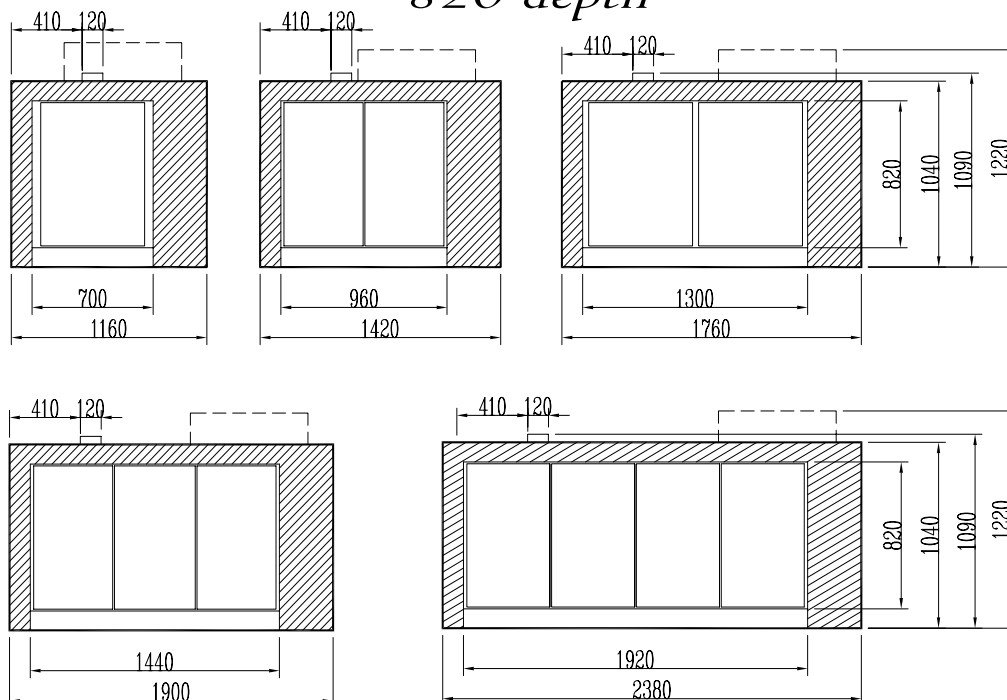
Build height



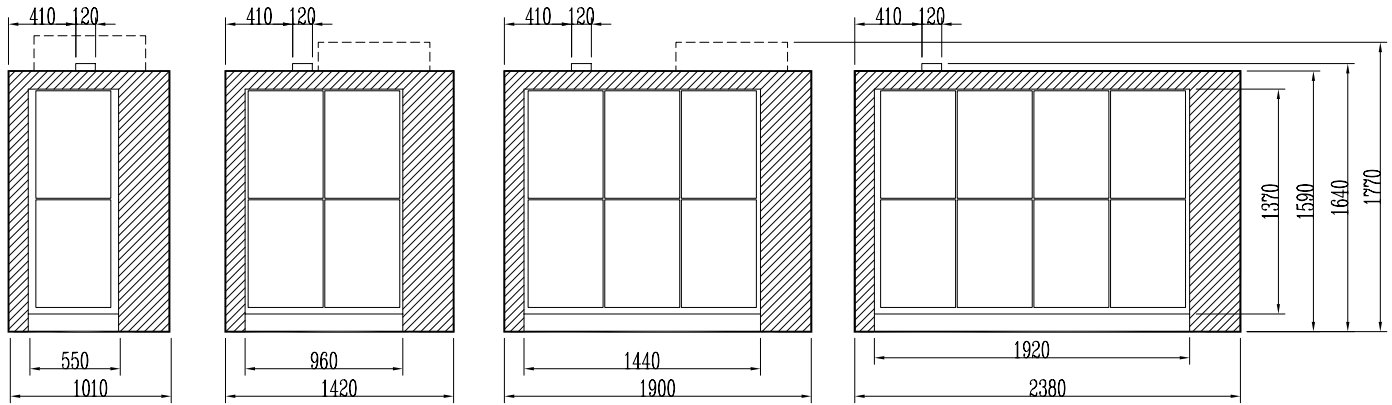
675 depth



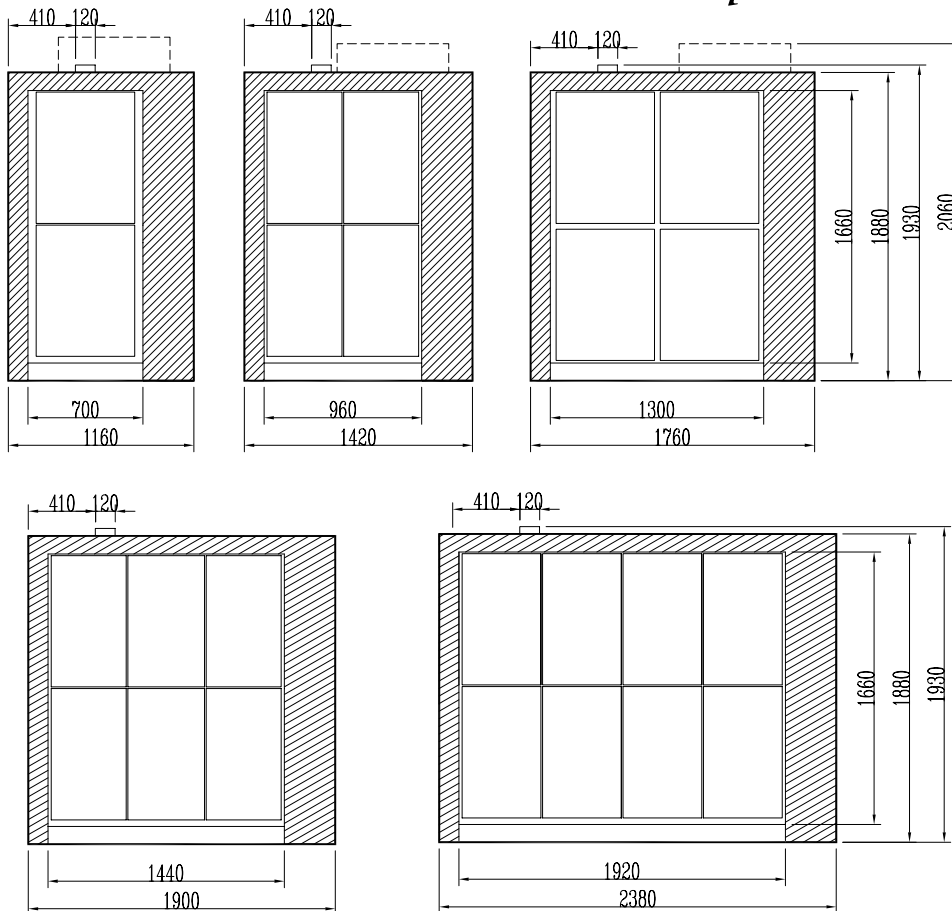
820 depth



1370 depth

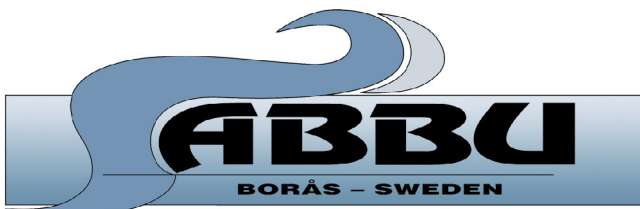


1660 depth



Power/Oven chamber, kW

| | 380V | 220,400,415V |
|-----------|------|--------------|
| 550x1370 | 5,4 | 6,0 |
| 960x1370 | 8,9 | 9,8 |
| 1440x1370 | 12,0 | 12,0 |
| 1920x1370 | 15,7 | 17,4 |
| 700x1660 | 8,0 | 8,8 |
| 960x1660 | 10,8 | 12,0 |
| 1300x1660 | 13,6 | 15,1 |
| 1440x1660 | 14,8 | 16,4 |
| 1920x1660 | 19,6 | 21,7 |
| Steam | 1,83 | 2,0 |



AB Borås Ugntjänst
 Kypered 3
 S-504 90 Borås, Sweden
 Tel. +46 (0)33-243108, 243120
 Fax +46 (0)33-243108
 Email abbu@telia.com
www.abbusweden.com

AB Borås Ugntjänst reserves the right to make any changes of dimension and construction.